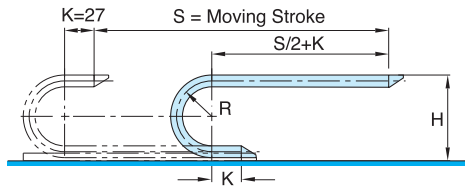
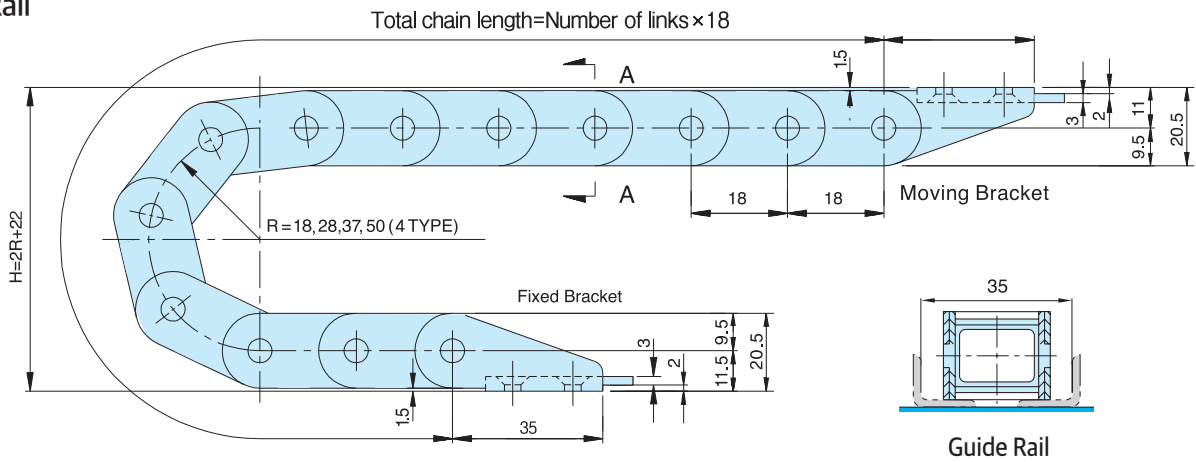


Order Example (주문예)

HSP 0180-1N

HSP0180-1N 50R 1000L 3SETS
 Type Radius Length Q'ty

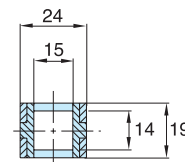
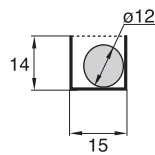
Chain, Guide Rail



· Length $L = \frac{S}{2} + \pi R + 54$

· Radius	R	18	28	37	50
· Height	H	58	78	96	122

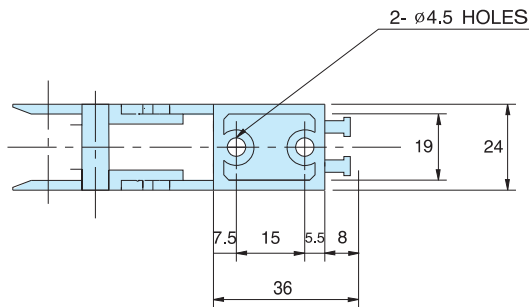
Max. Cable Diameter Cross Section



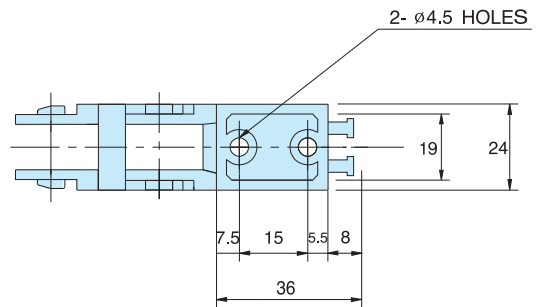
Cover 일체형

A-A Cross Section

Brackets



Fixed Bracket



Moving Bracket