

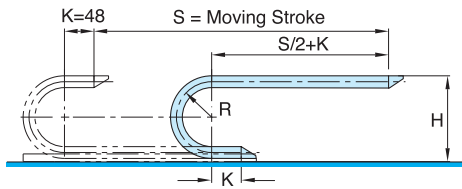
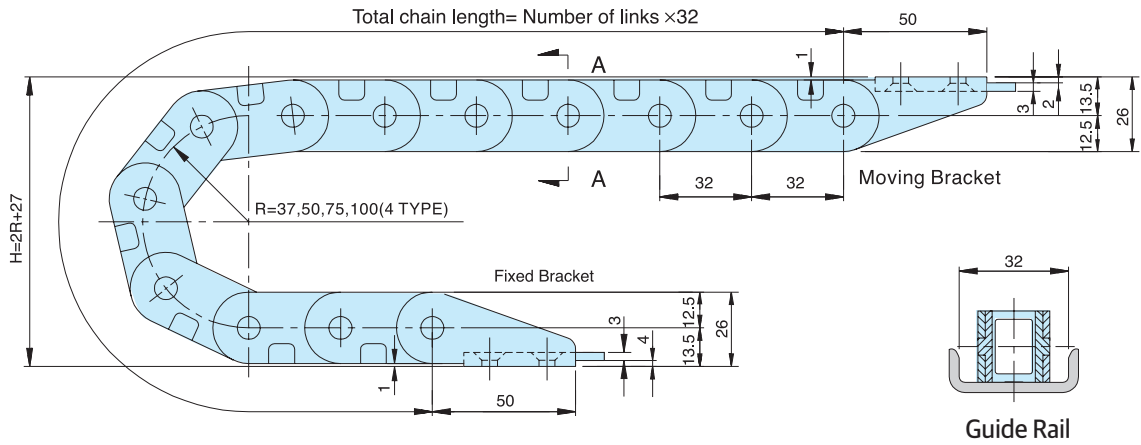


Order Example (주문예)

# HSP 0320-1BN

HSP0320-1BN 50R 2000L 3SETS  
 Type Radius Length Q'ty

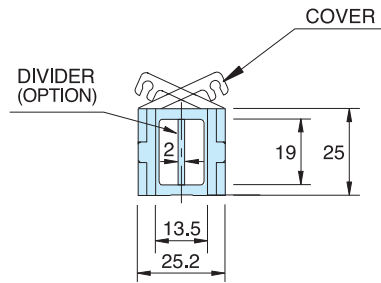
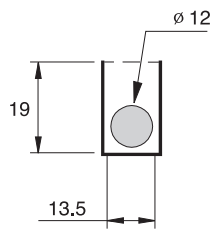
Chain, Guide Rail



· Length  $L = \frac{S}{2} + \pi R + 96$

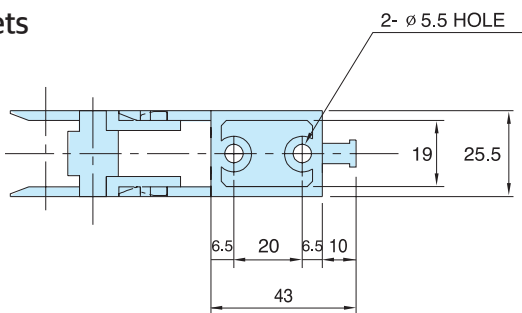
· Radius	R	37	50	75	100
· Height	H	101	127	177	227

Max. Cable Diameter Cross Section

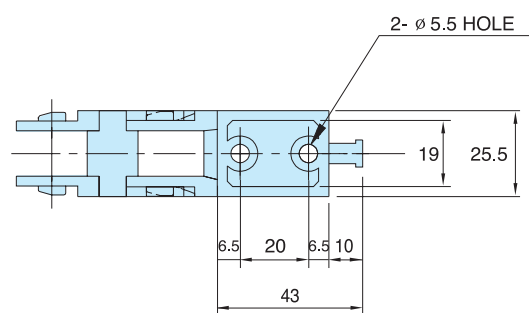


A-A Cross Section

Brackets



Fixed Bracket



Moving Bracket