

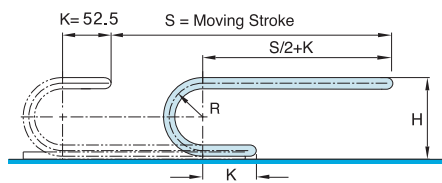
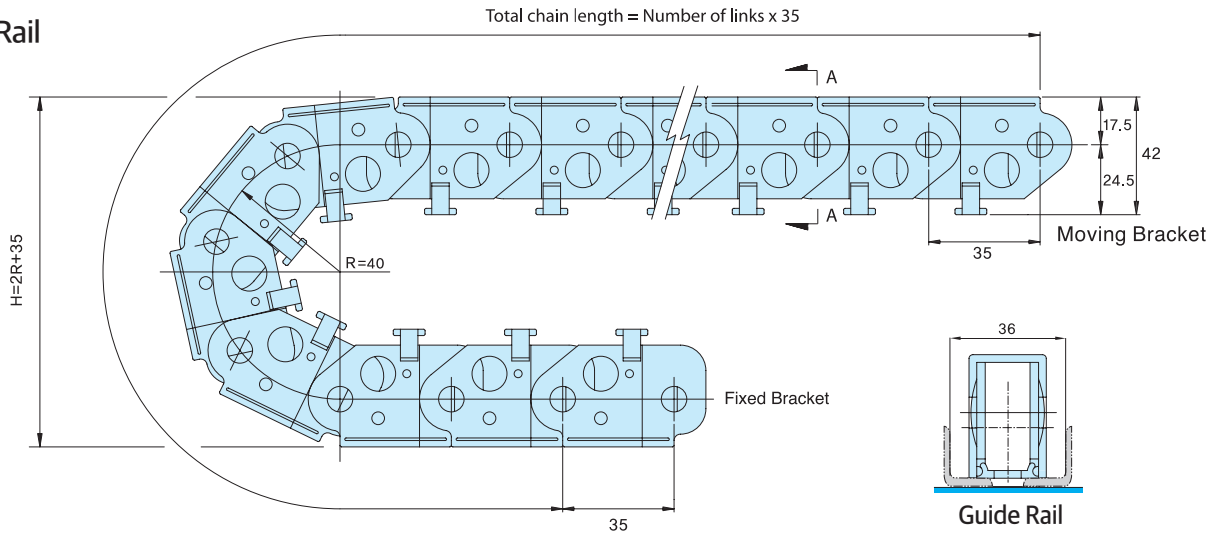


Order Example (주문예)

HSP 0350-2BW

HSP0350-2BW 40R 1000L 3SETS
Type Radius Length Q'ty

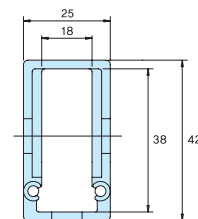
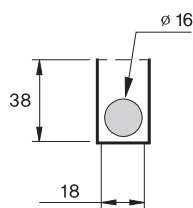
Chain, Guide Rail



· Length $L = \frac{S}{2} + \pi R + 105$

· Radius	R	40
· Height	H	115

Max. Cable Diameter Cross Section



A-A Cross Section

Brackets (별도의 END BRACKET이 없이 CHAIN에 취부)

