

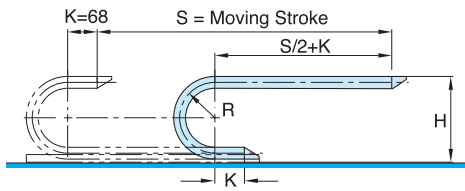
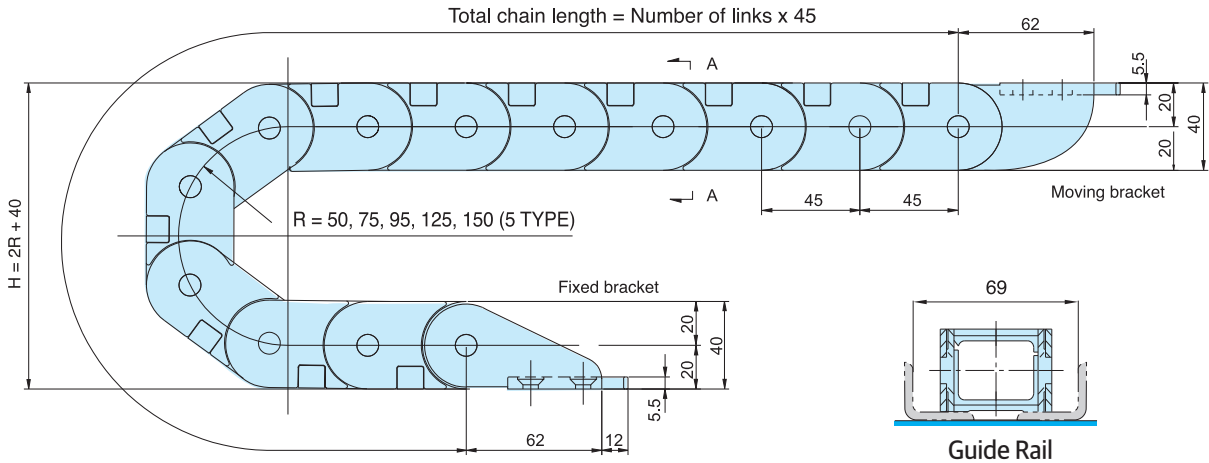


Order Example (주문예)

HSP 0450-1BN

HSP0450-1BN 150R 2000L 3SETS
 Type Radius Length Q'ty

Chain, Guide Rail

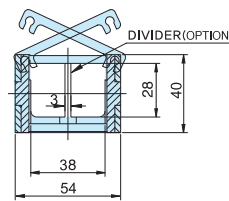
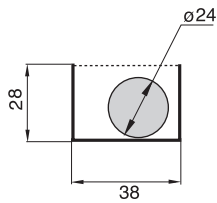


· Length $L = \frac{S}{2} + \pi R + 136$

· Radius
 · Height

R	50	75	95	125	150
H	140	190	230	290	340

Max. Cable Diameter Cross Section

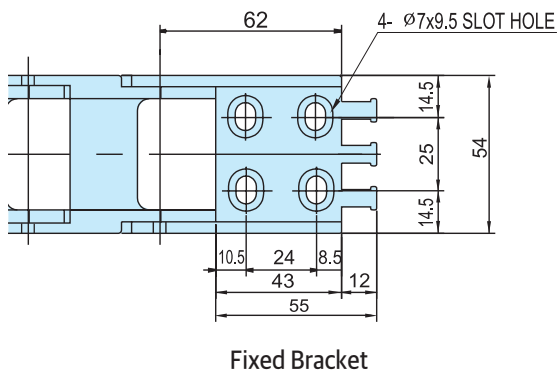


A-A Cross Section

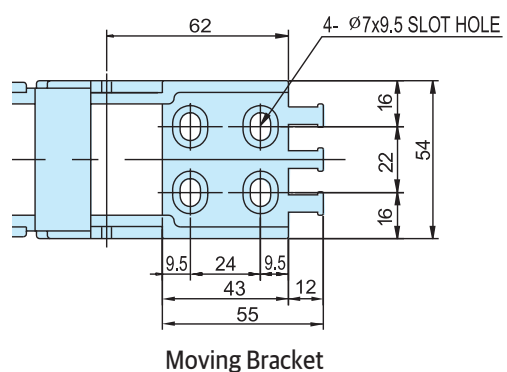


HSP 0450-1BNC
 See page 80

Brackets



Fixed Bracket



Moving Bracket