

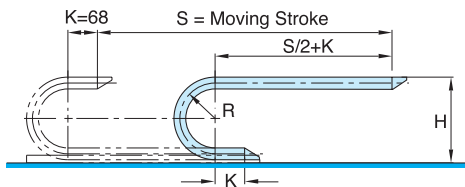
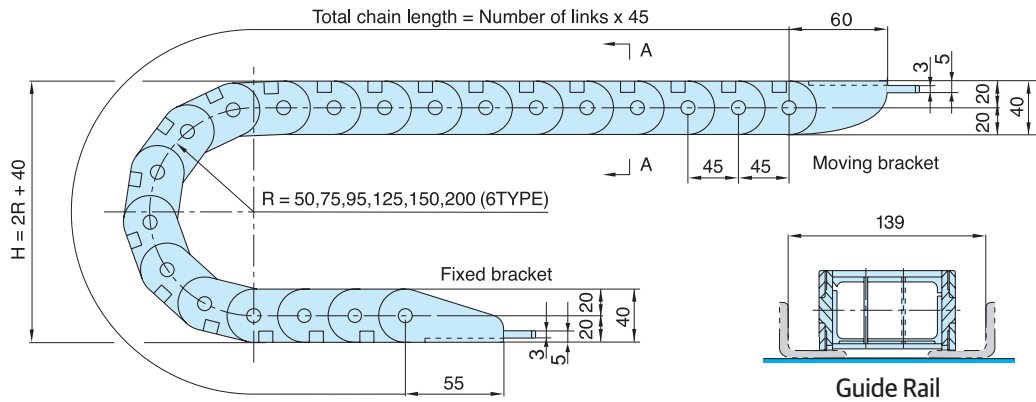


Order Example (주문예)

HSP 0450-4BN

HSP0450-4BN 150R 3000L 3SETS
Type Radius Length Q'ty

Chain, Guide Rail



· Length

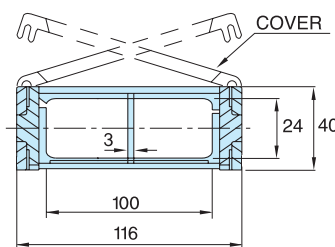
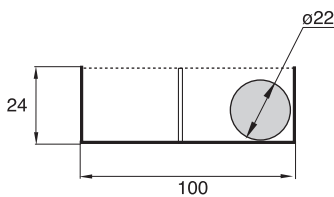
$$L = \frac{S}{2} + \pi R + 136$$

· Radius

· Height

R	50	75	95	125	150	200
H	140	190	230	290	340	440

Max. Cable Diameter Cross Section

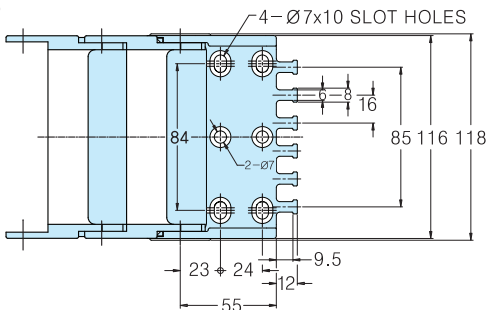


A-A Cross Section

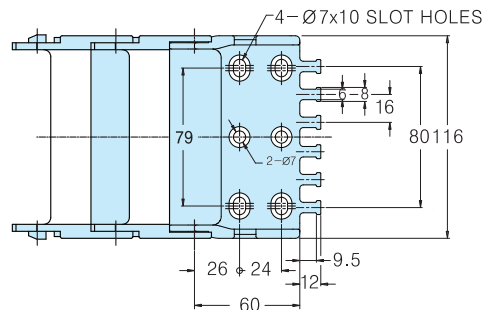


HSP 0450-4BNC
See page 83

Brackets



Fixed Bracket



Moving Bracket

