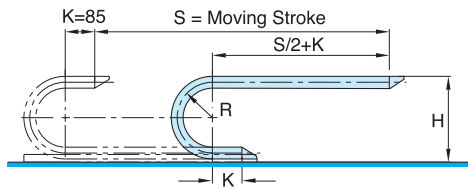
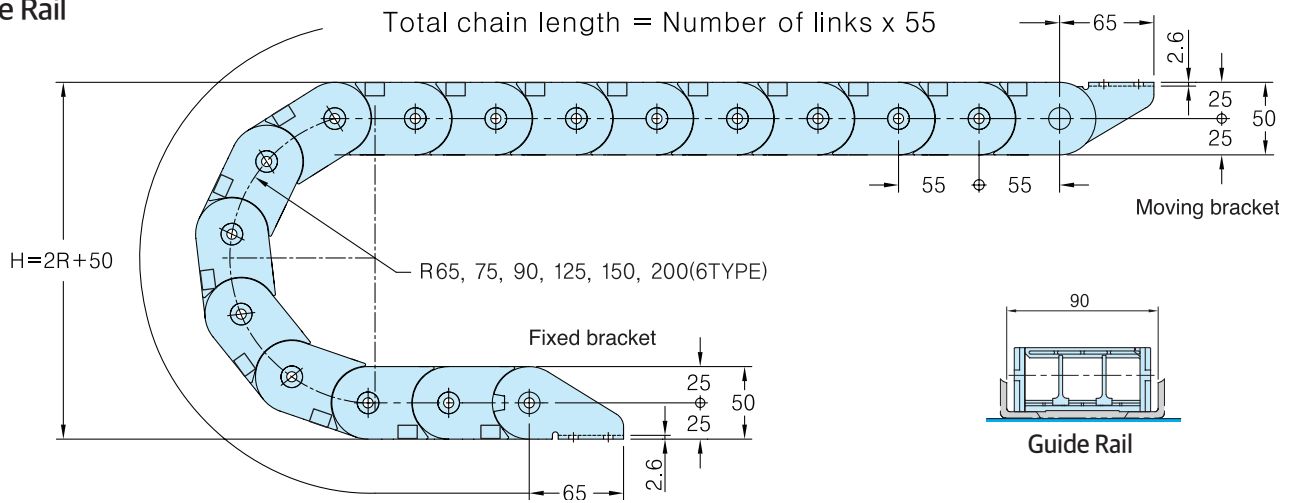


Order Example (주문예)

HSP 0550-1BN

HSP0550-1BN 100R 2000L 3SETS
 Type Radius Length Q'ty

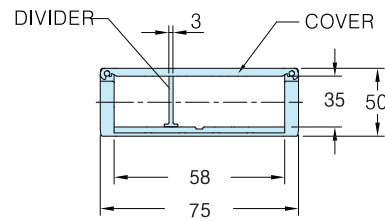
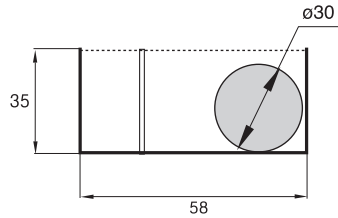
Chain, Guide Rail



· Length $L = \frac{S}{2} + \pi R + 165$

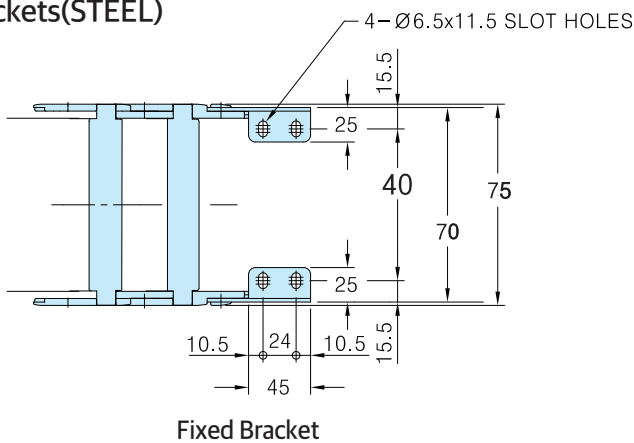
· Radius	R	65	75	90	125	150	200
· Height	H	180	200	230	300	350	450

Max. Cable Diameter Cross Section

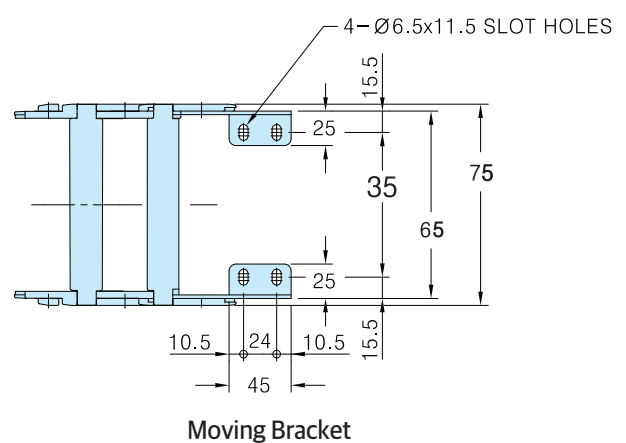


A-A Cross Section

Brackets(STEEL)



Fixed Bracket



Moving Bracket