
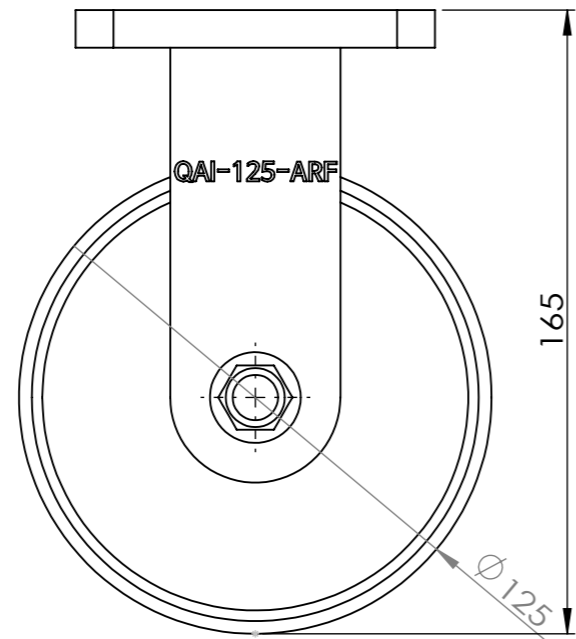
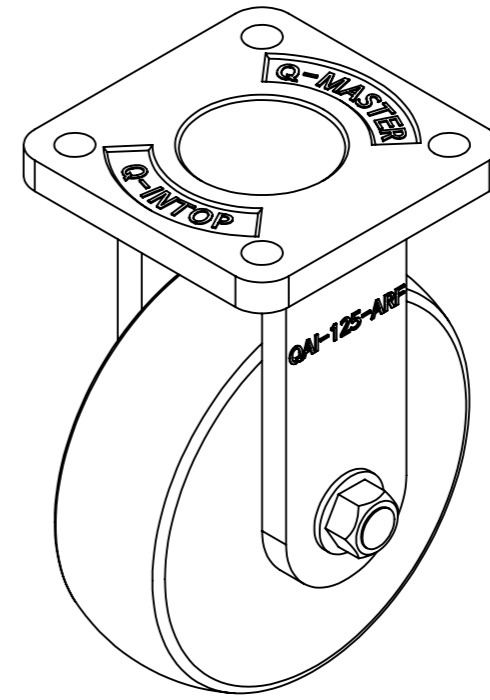
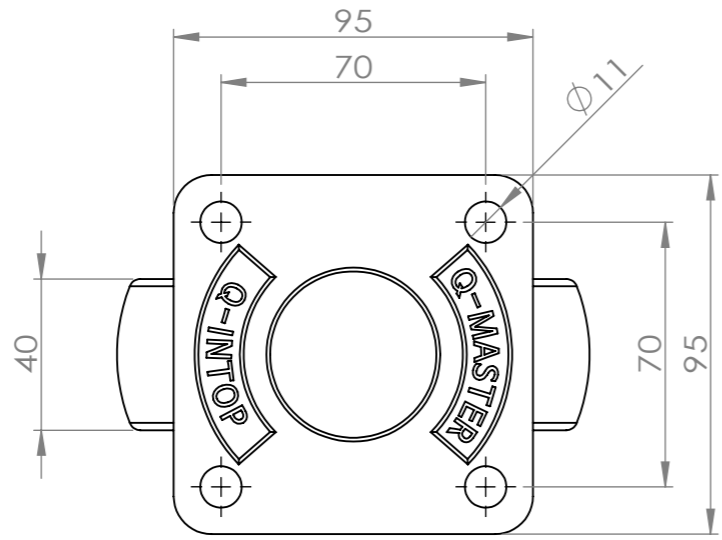



Drawn Heon mun, Lee		Checked & Approved In hwan, Lee		Date Apr 15th, 2025	Product AI Caster
		Material		Title QAI-125-ASF Draw NO. QIN-QAI-005	
		Top plate	SM45C		
LOAD/1PCE		LOAD/4PCE		Scale 1:1	
700KG		2,100KG		Sheet 1 of 1	



Drawn Heon mun, Lee		Checked & Approved In hwan, Lee		Date Apr 15th, 2025	Product Al Caster
		Material		Title QAI-125-ARF Draw NO. QIN-QAI-006	
		Top plate	SM45C		
LOAD/1PCE 700KG		LOAD/4PCE 2,100KG		Scale 1:1	
				Sheet 1 of 1	